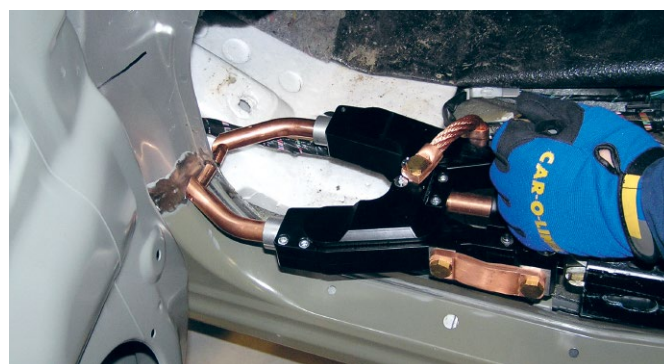
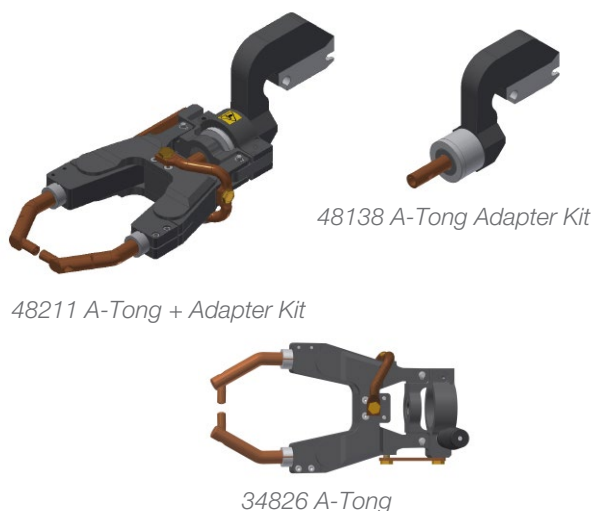


A-Tong

Patented accessory for the C-tong on Car-O-Liner Resistance Spot Welders

- **Increased Accessibility** — Easy to maneuver in hard to reach places
- **1-to-1 Electrode Pressure** — Keeps pressure high throughout the welding process
- **Robust** — Easily withstands the latest UHSS 1,500 MPa squeeze pressures from the welder



Item	Article No.	Qty.
A-Tong + A-Tong Adapter Kit	48211	1
(Art. No. 34826 + Art. No. 48138)		
A-Tong Adapter Kit	48138	1
Consisting of		
A-Tong Adapter	47526	1
Insulation Cap	47527	1
Electrode	47528	1
A-tong	34826	1
Consisting of		
A-Tong with 100 mm 33° angle arms and electrode adapters for CTR12000 & CTR7		
Spare parts for A-tong		
Electrode holder Arm 100 mm	34917	2
Electrode L=40-120°	33517	2

Technical Data A-Tong 34826

Max Electrode Pressure (depending upon the arm's length)	450 daN
Open Gap (tip to tip)	100 mm
Weight	3,8 kg
ISO	8662-1